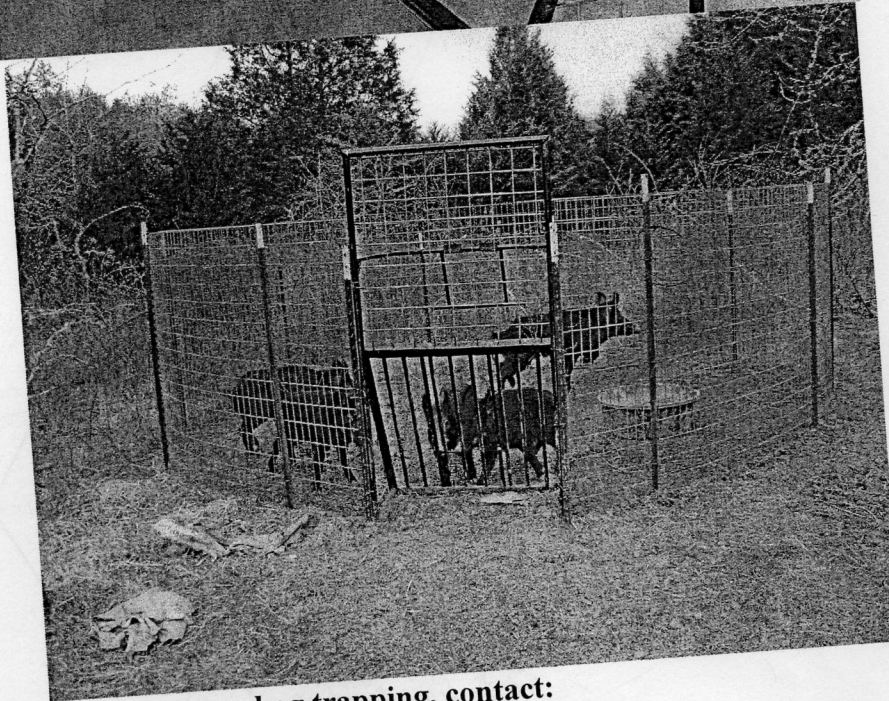
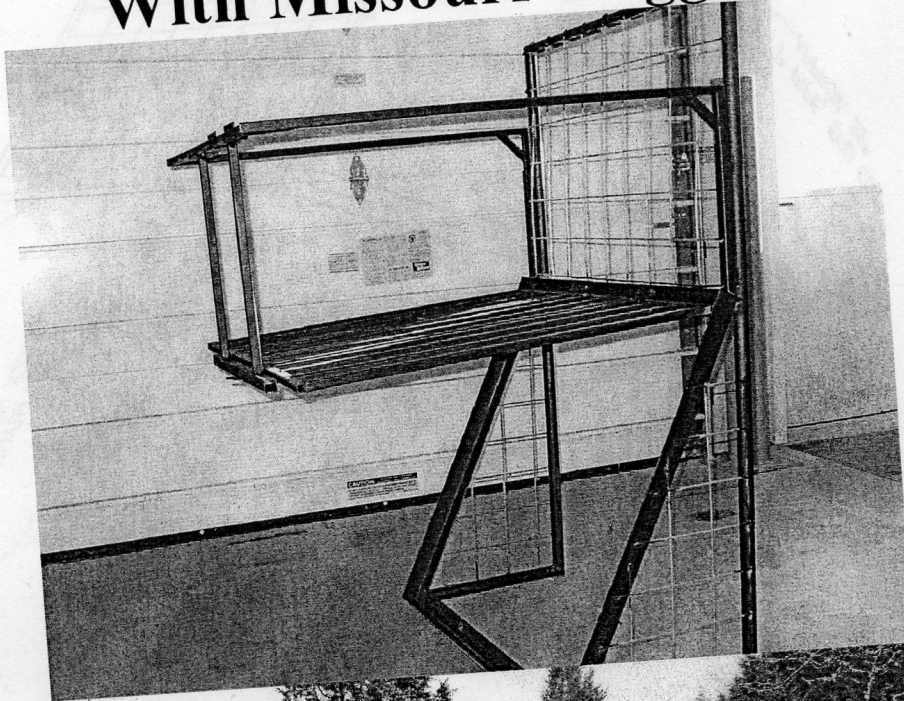


# Feral Hog Trap Plans Kerrville Rooter Gate With Missouri Trigger



For more information on hog trapping, contact:

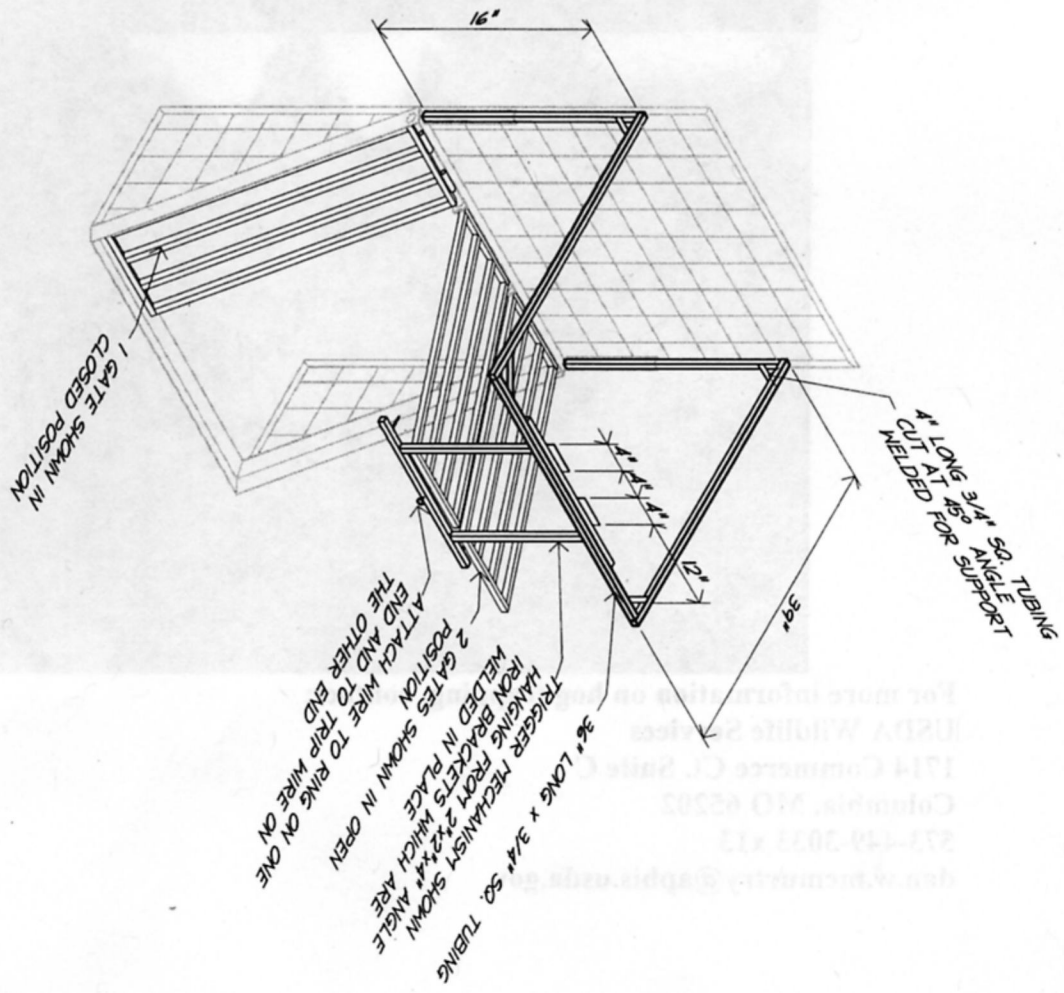
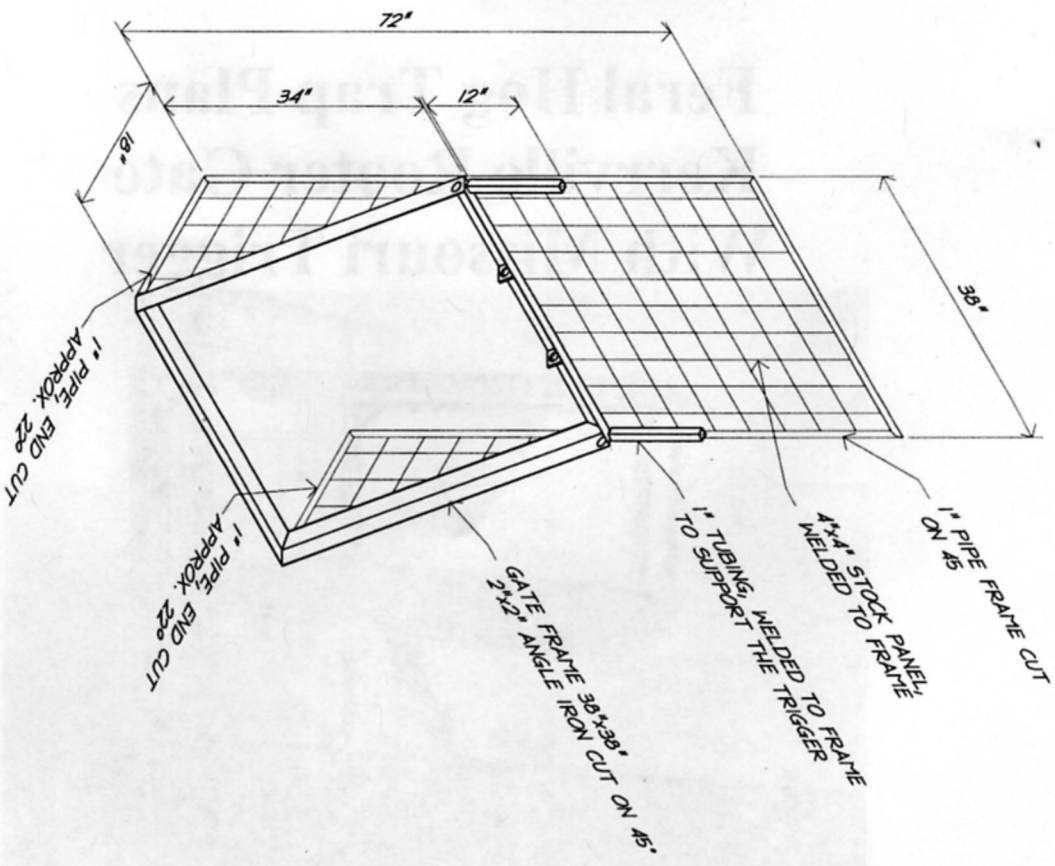
USDA Wildlife Services

1714 Commerce Ct. Suite C

Columbia, MO 65202

573-449-3033 x13

[dan.w.mcmurtry@aphis.usda.gov](mailto:dan.w.mcmurtry@aphis.usda.gov)

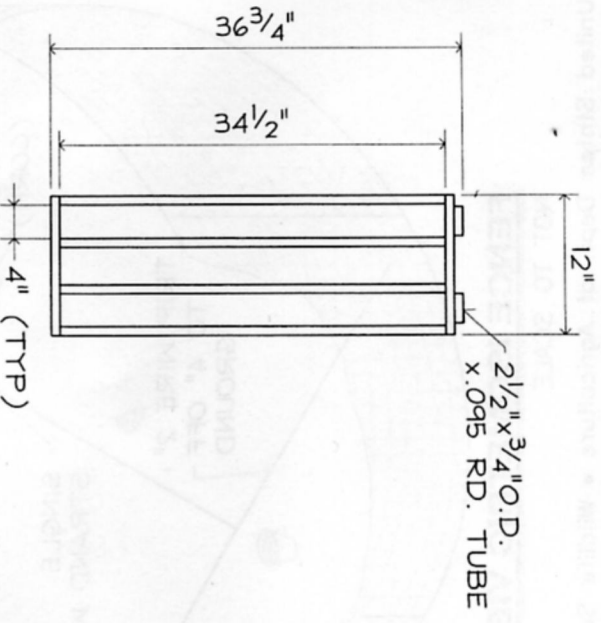


**KERRVILLE HOG ROOTER GATE PANEL**

SCALE: 1/2" = 1'-0"

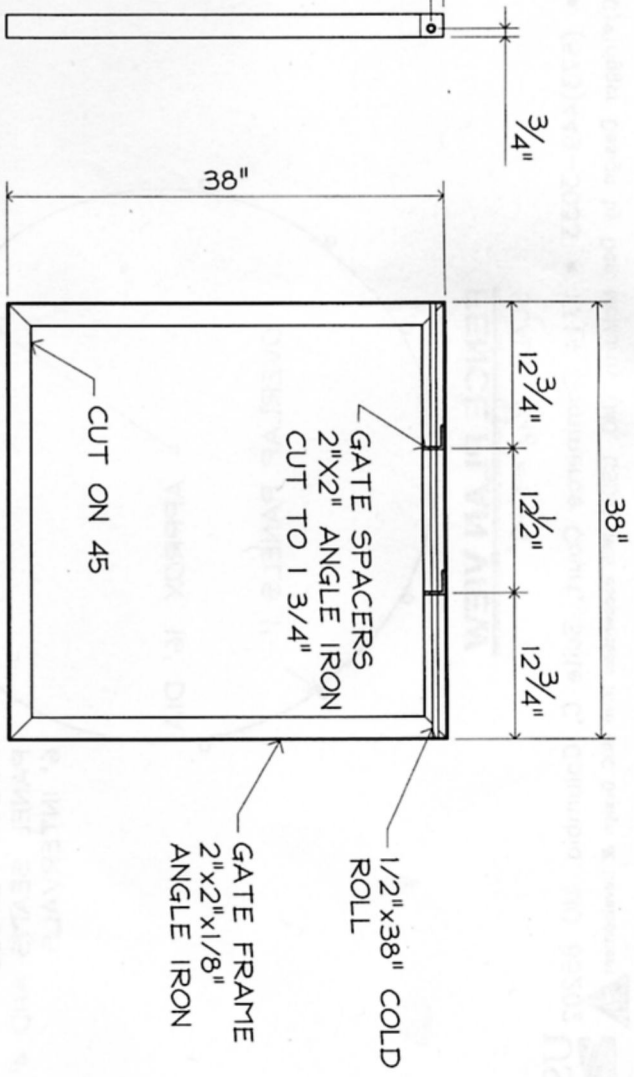
**KERRVILLE HOG ROOTER GATE**

SCALE: 1/2" = 1'-0"



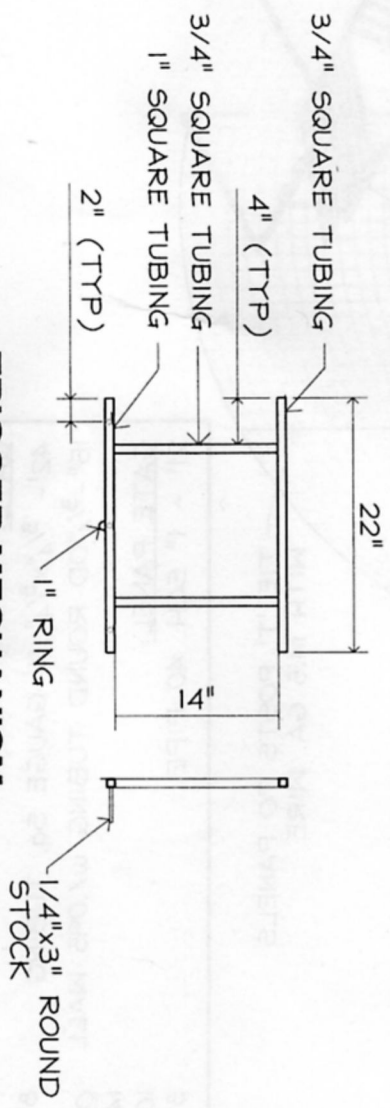
**GATE DETAIL (TYPICAL OF 3)**

SCALE: 3/4" = 1'-0"



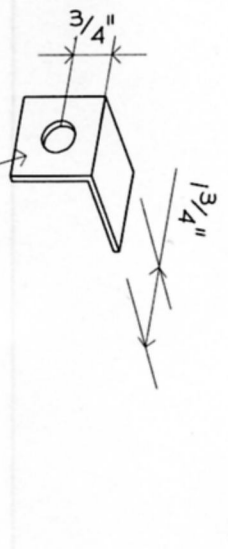
**GATE FRAME DETAIL**

SCALE: 3/4" = 1'-0"



**TRIGGER MECHANISM**

SCALE: 3/4" = 1'-0"



**SPACER**

SCALE: 3" = 1'-0"



**MATERIALS LIST:**

**GATE FRAME:**

- 14' - 2"x2"x1/8" ANGLE IRON
- 38" - 1/2" COLD ROLL

**GATE:**

- 42' - 3/4"x3/4" 16 GAUGE Sq. TUBING
- 15" - 3/4" OD ROUND TUBING w/.095 WALL

**GATE PANEL:**

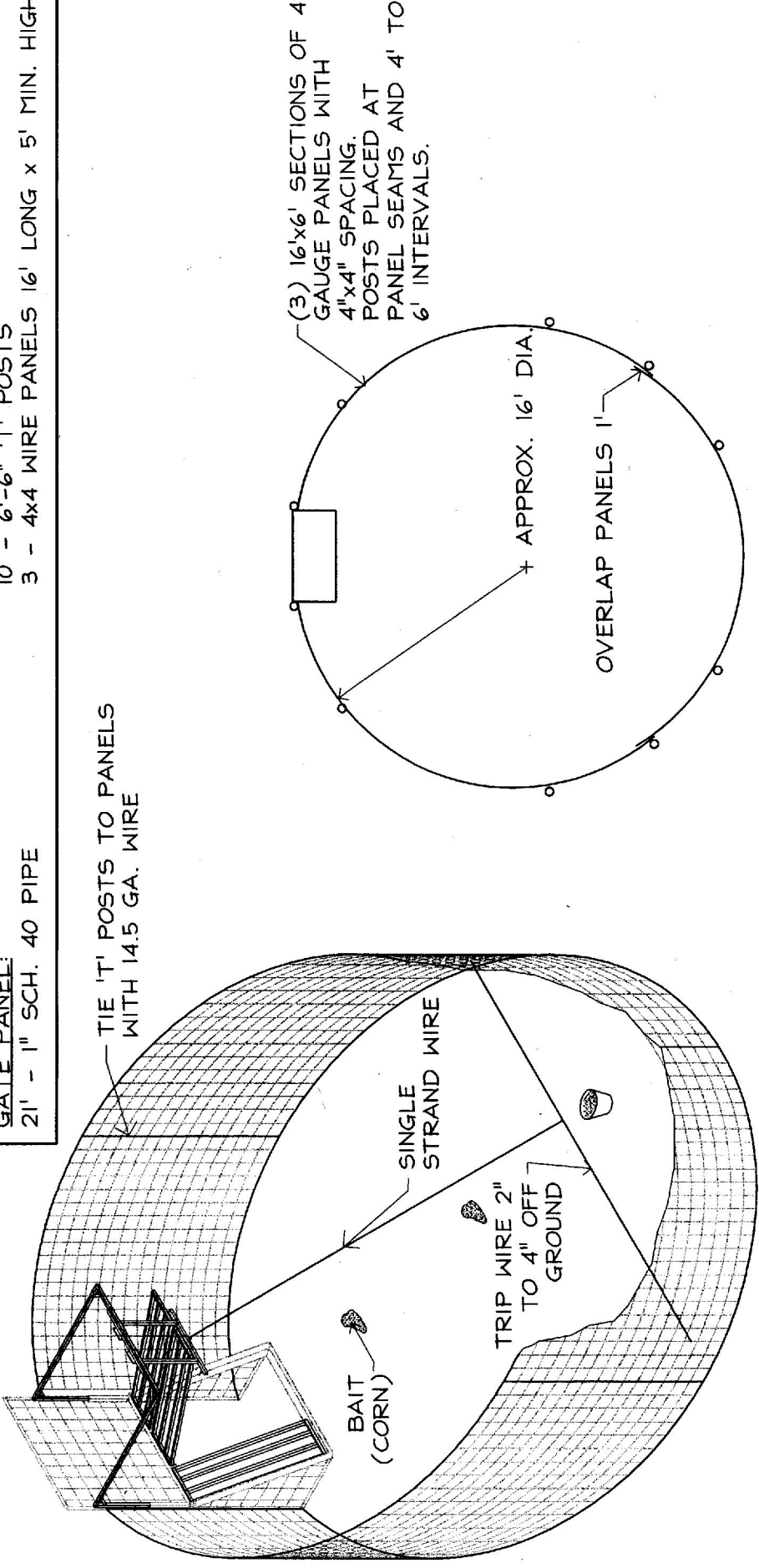
- 21' - 1" SCH. 40 PIPE

**TRIGGER MECHANISM:**

- 20' - 3/4"x3/4" 16 GAUGE Sq. TUBING
- 33" - 1"x1" Sq. 14 GAUGE TUBING
- 9" - 1/4" ROUND STOCK
- 1 - 1" RING
- 8" 2x2 ANGLE IRON

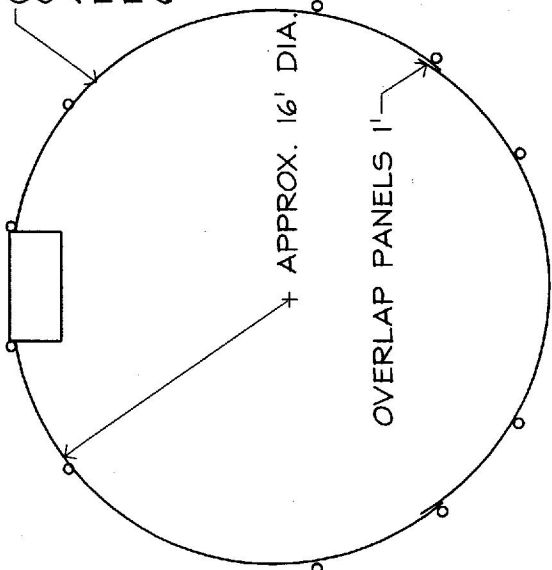
**OTHER SUPPLIES:**

- 14.5 GAUGE WIRE, DOUBLED & TWISTED
- 10 - 6'-6" 'T' POSTS
- 3 - 4x4 WIRE PANELS 16' LONG x 5' MIN. HIGH



**FENCE ISOMETRIC VIEW**

NOT TO SCALE



**FENCE PLAN VIEW**

SCALE: 3/16" = 1'-0"

